

Desoutter



Industrial Tools



B-FLEX

**Torque and Angle
Transducerized Battery Tool**

Quality control

Flexibility

Ergonomics

More Than Productivity



B-FLEX: performance and flexibility



desoutter.info/B-FLEX-video

FOCUS



KEY POINTS

BEST ERGONOMICS	HIGH TECHNOLOGY	QUALITY CONTROL
<p>Ergostop technology to avoid RSI (Repetitive Strain Injury)</p> <p>Perfectly balanced grip design</p> <p>Rebalancing with the two different battery positions</p> <p>Operator comfort</p>	<p>Smart embedded HMI on tool</p> <p>High resolution transducer</p> <p>New motor dedicated to battery tools: high speed, high torque, low temperature</p>	<p>Direct feedback for the operator</p> <p>Visible tightening results on tool HMI</p> <p>Torque control and angle monitoring</p>

B-FLEX: Ergonomy and Control



desoutter.info/B-FLEX

ERROR PROOF QUALITY CONTROL

- Direct feedback for the operator
- Torque and Angle tightening result
- Torque control tightening strategy



No PC needed

100 last results on CVI monitor



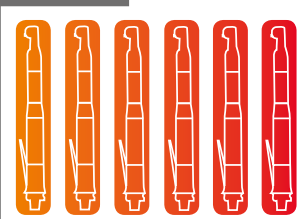
Callouts:

- Data to collect
- Password protection
- Battery level
- Ergostop
- Program setting
- Easy setting
- Results

Screen displays: P2, 26.0 Nm, Max angle 185 deg, 10.03Nm, 162.3DEG

B-FLEX ADVANCED (Standard features +)

6 Pset

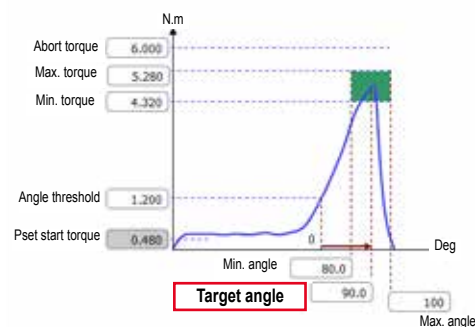


6 TOOLS in 1 B-FLEX



Angle Strategy

Error proof your standard tightenings



Full data collection

(up to 10 000 on Analyzer)



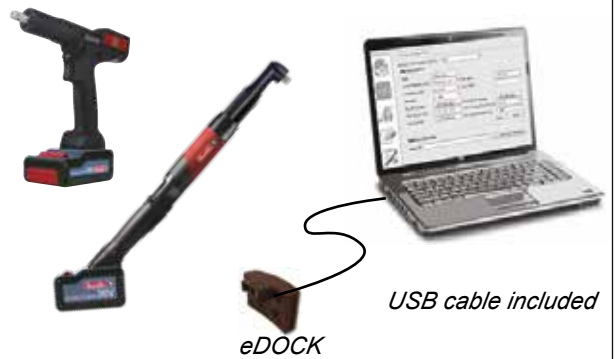
UNMATCHED FLEXIBILITY



Get rid of your air hoses



eDOCK for tool maintenance



Non contact trigger

- Dust and oil proof
- Maintenance free (no contact)

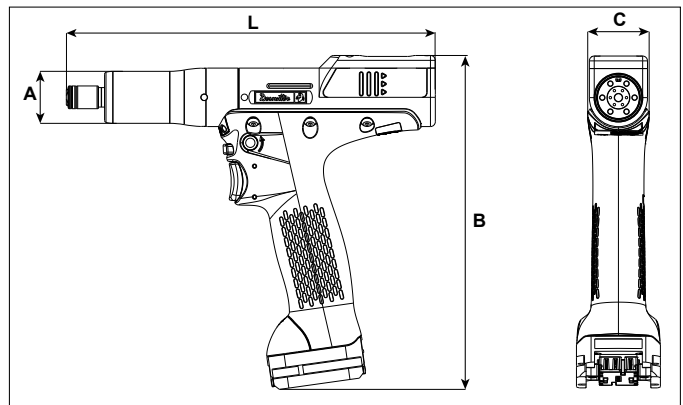


B-FLEX Series - Pistol grip

1.5 to 17 Nm (1.1 to 12.5 ft.lb) - 10 to 1800 rpm



MODEL	L		A		B		C	
	mm	in.	mm	in.	mm	in.	mm	in.
EPB 8-1800-4Q	227	8.94	32	1.26	206	8.11	38	1.5
EPB 8-1800-10S	227	8.94	32	1.26	206	8.11	38	1.5
EPB 14-900-4Q	227	8.94	32	1.26	206	8.11	38	1.5
EPB 14-900-10S	227	8.94	32	1.26	206	8.11	38	1.5
EPB 17-700-4Q	227	8.94	32	1.26	206	8.11	38	1.5
EPB 17-700-10S	227	8.94	32	1.26	206	8.11	38	1.5



PIC REF	MODEL	PART NUMBER	OUTPUT DRIVE	TORQUE RANGE						ROTATIONAL SPEED (RPM)		WEIGHT WITHOUT BATTERY		VOLTAGE
				MIN.	RECOM-MENDED	MAX.	MIN.	RECOM-MENDED	MAX.	18V	36V	kg	lb	
				in.	Nm	Nm	ft.lb	ft.lb	ft.lb					

B-FLEX - TRANSDUCERIZED BATTERY TOOL

A	EPB 8-1800-4Q	615 165 899 0	Hex.1/4	1.5	7	8	1.1	5.2	5.9	900	1800	1	2.2	18/36
B	EPB 8-1800-10S	615 165 903 0	Sq.3/8	1.5	7	8	1.1	5.2	5.9	900	1800	1	2.2	18/36
A	EPB14-900-4Q	615 165 978 0	Hex.1/4	4	12	14	2.4	8.8	10.3	540	940	1	2.2	18/36
B	EPB14-900-10S	615 165 977 0	Sq.3/8	4	12	14	2.4	8.8	10.3	540	940	1	2.2	18/36
A	EPB 17-700-4Q	615 165 905 0	Hex.1/4	7	15	17	5.2	11	12.5	400	700	1	2.2	18/36
B	EPB 17-700-10S	615 165 901 0	Sq.3/8	7	15	17	5.2	11	12.5	400	700	1	2.2	18/36

B-FLEX - ADVANCED

A	EPBA 8-1800-4Q	615 165 972 0	Hex.1/4	1.5	7	8	1.1	5.2	5.9	900	1800	1	2.2	18/36
B	EPBA 8-1800-10S	615 165 971 0	Sq.3/8	1.5	7	8	1.1	5.2	5.9	900	1800	1	2.2	18/36
A	EPBA14-900-4Q	615 165 974 0	Hex.1/4	4	12	14	2.4	8.8	10.3	540	940	1	2.2	18/36
B	EPBA14-900-10S	615 165 973 0	Sq.3/8	4	12	14	2.4	8.8	10.3	540	940	1	2.2	18/36
A	EPBA 17-700-4Q	615 165 976 0	Hex.1/4	7	15	17	5.2	11	12.5	400	700	1	2.2	18/36
B	EPBA 17-700-10S	615 165 975 0	Sq.3/8	7	15	17	5.2	11	12.5	400	700	1	2.2	18/36

• Battery not included in standard offering

• Battery 18V, 2.5 Ah : 0.46 kg (1.01lb) & 36V, 2.5 Ah : 0.77 kg (1.70lb)

B-FLEX Series - Angle head

5 to 95 Nm (3.7 to 70 ft.lb) - 10 to 900 rpm



A

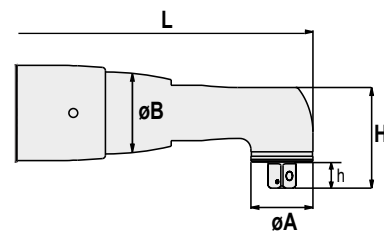


B



C

MODEL	L		H		H		ØA		ØB	
	mm	in.	mm	in.	mm	in.	mm	in.	mm	in.
EAB 15-900	470	18.5	10.2	0.40	33.8	1.33	22	0.87	37.0	1.46
EAB 26-560	496	19.5	12.0	0.47	45.7	1.80	28	1.10	37.0	1.46
EAB 32-410	496	19.5	12.0	0.47	45.7	1.80	28	1.10	37.0	1.46
EAB 45-330	506	19.9	12.0	0.47	51.0	2.00	35	1.38	37.0	1.46
EAB 50-450	546	21.5	12.0	0.47	51.0	2.00	35	1.38	37.0	1.46
EAB 60-370	559	22.0	11.9	0.468	57.0	2.20	40	1.57	41.0	1.61
EAB 75-300	582	22.9	17.5	0.69	60.4	2.38	45	1.77	48.5	1.91
EAB 95-240	582	22.9	17.5	0.69	60.4	2.38	45	1.77	48.5	1.91



L = Tool length without battery

PIC REF	MODEL	PART NUMBER	SQUARE DRIVE	TORQUE RANGE						ROTATIONAL SPEED	EAB/EABA		VOLTAGE
				MIN.	RECOM-MENDED	MAX.	MIN.	RECOM-MENDED	MAX.		kg	lb	
			in.	Nm	Nm	Nm	ft.lb	ft.lb	ft.lb	rpm			V

B-FLEX - TRANSDUCERIZED BATTERY TOOL

•	EAB 15-900	615 165 731 0	1/4	5	13	15	3.7	9.6	11	900	1.55	3.42	36
A	EAB 26-560	615 165 732 0	3/8	5	24	26	3.7	18	19	560	1.65	3.64	36
A	EAB 32-410	615 165 733 0	3/8	7	30	32	5.2	22	24	410	1.65	3.64	36
B	EAB 45-330	615 165 734 0	3/8	9	40	45	6.6	30	33	330	1.76	3.88	36
B	EAB 50-450	615 165 735 0	3/8	9	45	50	6.6	33	37	450	2.04	4.50	36
B	EAB 60-370	615 165 736 0	1/2	10	55	60	7.4	41	44	370	2.35	5.18	36
C	EAB 75-300	615 165 737 0	1/2	12	70	75	8.8	52	55	300	2.94	6.48	36
C	EAB 95-240	615 165 738 0	1/2	19	90	95	14	66	70	240	2.98	6.57	36

B-FLEX - ADVANCED

•	EABA15-900	615 165 961 0	1/4	5	13	15	3.7	9.6	11	900	1.55	3.42	36
A	EABA26-560	615 165 962 0	3/8	5	24	26	3.7	18	19	560	1.65	3.64	36
A	EABA32-410	615 165 963 0	3/8	7	30	32	5.2	22	24	410	1.65	3.64	36
B	EABA45-330	615 165 964 0	3/8	9	40	45	6.6	30	33	330	1.76	3.88	36
B	EABA50-450	615 165 965 0	3/8	9	45	50	6.6	33	37	450	2.04	4.50	36
B	EABA60-370	615 165 966 0	1/2	10	55	60	7.4	41	44	370	2.35	5.18	36
C	EABA75-300	615 165 967 0	1/2	12	70	75	8.8	52	55	300	2.94	6.48	36
C	EABA95-240	615 165 968 0	1/2	19	90	95	14	66	70	240	2.98	6.57	36

- Battery not included in standard offering
- Battery 36V, 2.5Ah - Weight: 0.77 kg (1.70lb)

EPB / EAB

ACCESSORIES INCLUDED

	EPB/EPBA
• Pistol protective cover Red	615 211 022 0

OPTIONAL ACCESSORIES

ITEM	EAB/EABA	EPB/EPBA
Battery type		
1	Li-ion battery pack 18V 2.5 Ah - 0,46 kg (1,01lb)	615 813 266 0
2	Li-ion battery pack 36V 2.5 Ah - 0,77 kg (1,70lb)	615 813 267 0
Charger		
3	Charger Universal 18 / 36V	615 813 270 0
•	Power Cord C13-C14 L=0.3m (daisy chain cable)	615 813 383 0
Protective covers - Tools		
4	For Angle head EAB 15	615 211 003 0
4	For Angle head EAB 26/32	615 573 207 0
4	For Angle head EAB 45/50	615 573 208 0
4	For Angle head EAB 60	615 573 209 0
4	For Angle head EAB 75/95	615 573 210 0
5	Pistol protective cover Black	615 211 019 0
Protective covers - Battery		
6	For Battery 18V 2.5Ah - Clear	615 211 136 0
6	For Battery 18V 2.5Ah - Black	615 211 137 0
6	For Battery 18V 2.5Ah - Red	615 211 138 0
6	For Battery 18V 2.5Ah - Grey	615 211 139 0
6	For Battery 36V 2.5Ah - Clear	615 211 140 0
6	For Battery 36V 2.5Ah - Black	615 211 141 0
6	For Battery 36V 2.5Ah - Red	615 211 142 0
6	For Battery 36V 2.5Ah - Grey	615 211 143 0
Miscellaneous		
7	Nose crowfoot adapter for EPB	615 565 518 0
8	eDOCK + Battery data interface	615 813 400 0
9	Side handle	615 397 016 0
Desoutter Tool holster		
10	DTH TWIN (single) without rail	615 811 411 0
11	DTH TWIN rail kit with 2 Twin holders	615 811 412 5
12	DTH TWIN stand kit with 2 Twin holders	615 811 413 5
13	DTH90	615 812 119 0



More Than Productivity



www.desouttertools.com

English
© Copyright 2022
March 2022 - Issue 6